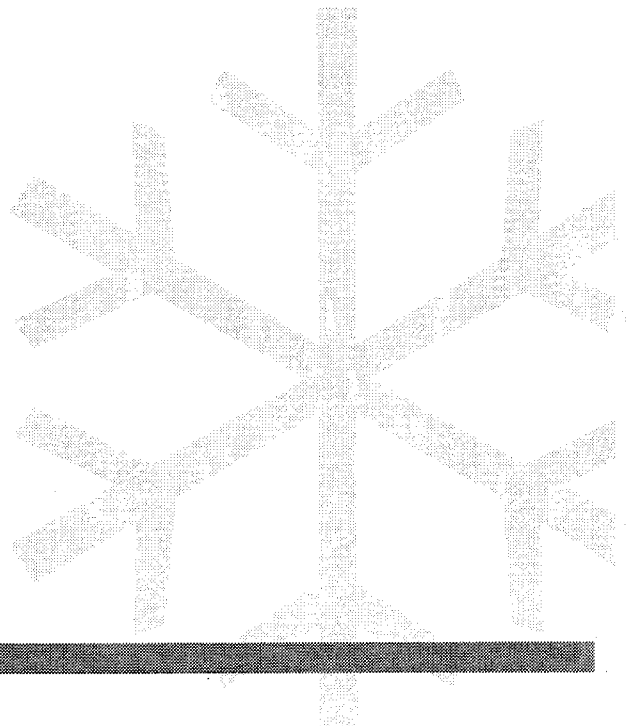


Instructions for installation and use

**HOTPOINT HANDBOOK
MODEL FZ 71P - FZ 91P
FROST FREE FREEZER**

Hotpoint





CE marking certifies that this appliance complies with EEC Directives 89/336 (electromagnetic compatibility), 73/23 (low voltage), 96/57 (energy efficiency) and their subsequent amendments.

The construction company declines all responsibilities for any errors or omissions in the contents of this booklet, and it reserves the right to carry out, without any prior notification whatever changes to its products may be deemed necessary due to technical or business reasons.

YOUR NEW HOTPOINT FREEZER

Using your new freezer is very simple. Nevertheless, for your own safety and to get the best results it is important that you read right through this handbook **before** using your freezer for the first time. Also do not load the freezer immediately it is switched on, but wait until the correct storage temperature has been reached (see **page 6**).

Electrical Requirements

We recommend that this appliance is connected to the mains supply via a suitable switched socket in a readily accessible position.

All Hotpoint appliances come complete with a fitted plug. The plug on your freezer has a 13A fuse. If the plug does not fit your sockets, a new plug can be fitted. Cut off the old plug and throw it away, do not insert it into a socket elsewhere in the house as this could cause a shock hazard.


WARNING: THIS APPLIANCE MUST BE EARTHED.

IMPORTANT: Fitting a Different Plug:

The wires in the mains lead are coloured in accordance with the following code:

- * Green and Yellow - Earth
- * Blue - Neutral
- * Brown - Live

If you fit your own plug the colours of these wires may not correspond with the identifying marks on the plug terminals. This is what you have to do:

1. Connect the green and yellow (Earth) wire to the terminal in the plug marked "E" or with the symbol , or coloured green or green and yellow.
2. Connect the blue (Neutral) wire to the terminal in the plug marked "N" or coloured black.
3. Connect the brown (Live) wire to the terminal marked "L" or coloured red.

With alte native plugs a 15A fuse must be fitted either in the plug or adaptor or in the main fuse box. In the event of replacing a fuse in the plug supplied, a 13A ASTA approved fuse to BS1362 must be fitted.

If the plug is the moulded on type the fuse cover must be refitted when changing the fuse. In the event of losing the fuse cover the plug must **not** be used until a replacement fuse cover has been obtained and fitted. A new fuse cover can be obtained from your nearest Hotpoint Spares Centre or local Electricity Company. The colour of the correct replacement fuse cover is that of the coloured marks or insert in the base of the plug.

Mains Lead Replacement

If the mains lead on this appliance needs replacing at any time, it must be replaced by a special lead which is obtainable from your nearest Hotpoint Service Office (see back page). A charge will be made for the replacement of the mains lead if you have damaged the lead or require a longer lead.

WARNING:

HOW TO AVOID ACCIDENTS TO CHILDREN. WHEN DISCARDING AN OLD FRIDGE OR FREEZER BE CERTAIN TO MAKE THE LOCK UNUSABLE. IF POSSIBLE, REMOVE THE DOORS AND DISCARD SEPARATELY.

DO NOT ATTEMPT TO STAND ON TOP OF YOUR APPLIANCE. IT IS NOT DESIGNED FOR SUCH USE AND YOU COULD INJURE YOURSELF OR DAMAGE THE APPLIANCE BY SUCH ABUSE.

DO NOT ALLOW THE CHILDREN TO PLAY WITH THE APPLIANCE OR TAMPER WITH THE CONTROLS.

HOTPOINT SERVICE AND SPARES

FOR SERVICE: If you have a problem with your appliance ring your local Service Office.
FOR SPARES and ACCESSORIES: To purchase spares and accessories send your Accessories Order Form to your Spares Centre. If the accessory or spare part you want is not on the form, contact your Spares Centre for prices and availability.

Please address all correspondence to Hotpoint Spares Centre or Hotpoint Service Office as applicable.

Service offices are open between 8.00am-8.00pm Monday to Friday.
8.30am-6.00pm on Saturdays and 10.00am-4.00pm Sundays.

Spares centres are open between 8.00am-5.00pm Monday-Friday and 8.00am-12.30pm on Saturdays.

- Service Office and Spares Centre
- Service Office only

EAST

- **ESSEX:** Industrial Buildings, Beehive Lane, Chelmsford, CM2 9TE
Post Codes RM & IG Tel: (01245) 492433
Remainder of Essex Tel: (01245) 269331
- **PETERBOROUGH:** Celta Road, PE2 9JB. Tel: (01733) 64741
For Spares Spares Administration Dept. Tel: (01733) 556520

LONDON

- **HARROW:** Unit 10, Crystal Way, Harrow, Middlesex, HA1 2HP.
Tel: 0181-863 3636
For Spares Tel: 0181-863 4113

MIDLANDS

- **BIRMINGHAM:** Westgate, Aldridge, W Midlands, WS9 8UX.
Post Codes B Tel: (01922) 743374
All other Post Codes Tel: (01922) 743376
For Spares Tel: (01922) 743377
- **NOTTINGHAM:** Ashling Street, NG2 3JB.
For Service Tel: 0115-986 2431/4322 For Spares Tel: 0115-986 0387

NORTH EAST

- **WETHERBY:** Sandbeck Lane, LS22 4TW.
For Service Tel: (01937) 581261/581444 For Spares Tel: (01937) 581221

NORTH WEST

- **MANCHESTER:** 44/46 Station Road, Heaton Mersey, Stockport, SK4 3QT.
All LA Post Codes
For Service Manchester North Tel: 0161-432 0513
Manchester South Tel: 0161-442 8677
For Spares Tel: 0161-432 0255

SCOTLAND

- **RENFREW:** West Lodge Road, Blythswood Estate, PA4 9EN.
All CA Post Codes
For Service Tel: 0141-886 6241 For Spares Tel: 0141-856 5611

SOUTH

- **KENT, SUSSEX AND SURREY:** Larkfield Trading Est, New Hythe Lane, Larkfield, ME20 6SW.
For Service Tel: (01622) 790707
For Spares Tel: (01622) 716631
- **SOUTHAMPTON:** Unit R, S Hampshire Ind Park, Salisbury Rd, Totton, SO40 3SA.
For Service Tel: (01703) 861981/667374 For Spares Tel: (01703) 867933

WALES

- **NORTH:** Westgate, Aidridge, West Midlands, WS9 8UX.
Tel: (01922) 743374.
- **SOUTH:** 18 Western Ave, Bridgend Ind. Estate, Bridgend, CF31 3SL.
Post Codes CF, SA & SY23-25 Tel: (01655) 664121
Post Codes BS, GL (not 55), HR, SY15-18, LD1-8, NP. Tel: (01656) 655554
For Spares Tel: (01656) 766111

IRELAND

- **NORTHERN:** 256 Ormeau Road,
Belfast, BT7 2FZ.
Tel: (01232) 647111

- **EIRE:** 49 Airways Ind. Estate,
Dublin 17.
For Service Tel: Dublin 426088
For Spares Tel: Dublin 426836

CHANNEL ISLANDS - Service provided by Agents.
Normal Guarantees apply and all Service Schemes are available.

- JERSEY:** 19 Don Street, St. Helier.
Tel: (01534) 21625
or Clos D'Ormes, Pontac,
St Clements. Tel: (01534) 54808

GUERNSEY & SARK:

- or Valpys Stores, Grande Rue, St Martins,
Guernsey. Tel: (01481) 38422
Barras Lane, Vale.
Tel: (01481) 51610

- ALDERNEY:** 32 High Street,
Tel: (01481) 822686

ISLE OF MAN - Service provided by Agents.
Normal Guarantees apply and all Service Schemes are available

- from 5 Drumgold St., Douglas.
Tel: (01624) 673233
- or Tromode Works,
Cronkbourne Village, Douglas,
Tel: (01624) 676066
- or 17 Ridgeway Street, Douglas,
Tel: (01624) 25811/25848

SHETLAND, ORKNEY & WESTERN ISLES - Service provided by Agents.
Normal Guarantees apply, but Service Schemes are NOT available.

- SHETLAND:** Fort Road, Lerwick.
Tel: (01595) 2557

- ORKNEYS:** Hatstone Ind. Estate, Kirkwall.
Tel: (01856) 5457

- WESTERN ISLES:** 27 Bayhead Street,
Stornoway, Isle of Lewis
Tel: (01851) 3387

OTHER ISLANDS: Local Hydro Electric Shops.

EXCEPT ARRAN, BUTE & SKYE - Which are covered by Hotpoint.

In accordance with its policy of progressive product design, the Company reserves the right to alter specifications.

Hotpoint Ltd, Peterborough, PE2 9JB, England

CONTENTS

YOUR NEW HOTPOINT FREEZER	2
Electrical Requirements	2
Mains Lead Replacement	2
RETENTION OF THE INSTRUCTION BOOK	3
GET TO KNOW YOUR APPLIANCE	4
INSTALLING YOUR APPLIANCE	4
Where to put your appliance	4
Adjustment of the upper hinge	4
INSTALLING YOUR APPLIANCE (CONT)	5
Repositioning the door hinges	5
GETTING YOUR APPLIANCE READY FOR USE	5
Final check	5
Starting	5
THE CONTROLS	6
THE CONTROLS (CONT)	6
Running in the compressor	6
CONTROLLING THE TEMPERATURE	6
Setting the temperature in the freezer	6
Indicator lights – adjacent to the facia controls	6
Red temperature warning light	6
Switching the appliance off	7
Green “Mains on” Indicator Light	7
Amber Fast Freeze Indicator Light	7
STORING FOOD	7
Storing food in your freezer compartment	7
If there is a power failure do not open the freezer door	7
Freezing fresh foods	7
Maximum freezing loads	7
Freezer contents cards	7
DO'S AND DON'TS	7
CARING FOR YOUR FREEZER	8
Cleaning	8
Cleaning the interior of the freezer	8
Going away	8
SPARE PARTS	8
IF YOUR FREEZER WON'T WORK	9
HOTPOINT SERVICE COVER	9
Satisfaction Guaranteed or Your Money Back	9
Hotpoint's Free Five Year Guarantee	9
Hotpoint's Extended Warranties	10
Service Cover	10
Kitchen Cover	10
Appliance Registration	10
Annual Safety/Maintenance Checks	10
Proof of Purchase	10
Spares and Accessories	10
HOTPOINT SERVICE AND SPARES	11

RETENTION OF THE INSTRUCTION BOOK

This Instruction Book must be kept handy for reference as it contains important details on the safe and proper use of the appliance.

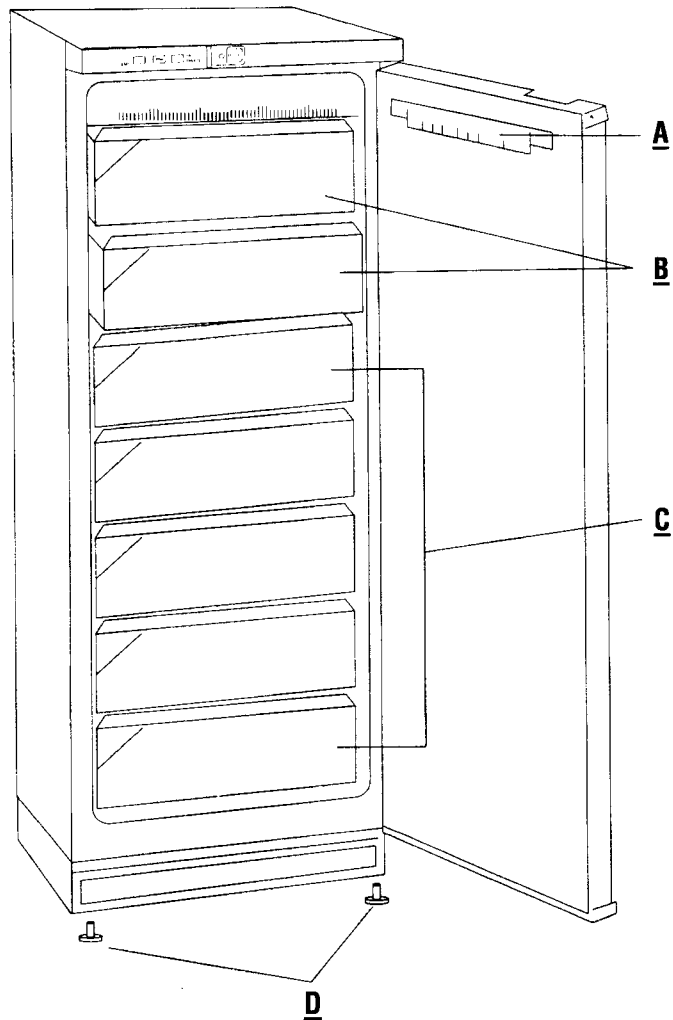
If you sell or pass the appliance to someone else, or move house and leave it behind, make sure this Book is also provided so the new owner can become familiar with the appliance and safety warnings.

If the Book is lost or damaged a copy may be obtained from Hotpoint Ltd, Celta Road, Peterborough, PE2 9JB.

**GET TO KNOW
YOUR APPLIANCE**

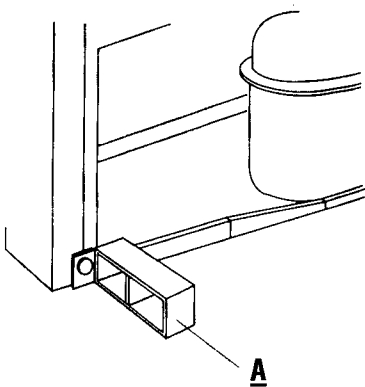
- A Freezer storage guide
- B Fast freeze
- C Frozen food storage
- D Adjustable front feet are fitted at these two corners

Models FZ 71P, FZ 91P



INSTALLING YOUR APPLIANCE

- A Position of spacers



Where to put your appliance

Your appliance should be placed where it is easy to use, adjacent to a work surface is often a good position.

It is advisable to position the appliance away from anything which gives off heat, a cooker or radiator for example or in a position where sunlight is liable to shine directly onto the appliance.

The freezer will operate in temperatures up to +32 °C.

Ensure that there is a 5 cm gap between the appliance and other items wall kitchen units or appliances.

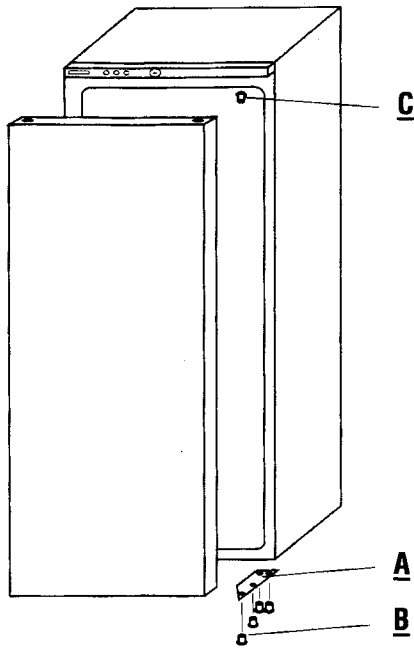
To allow for sufficient space at the rear of the appliance for air circulation, two spacers are provided. Position these onto each corner of the rear side edge. See diagram below.

Carefully push the appliance into position until the spacers are against the wall. Adjust both feet either clockwise or anti clockwise until all four corners of the appliance are firmly in contact with the floor.

Adjustment of the upper hinge

If the upper door is not in line with the control panel, partially unscrew the screw fixing the pivot plate to the upper hinge. Move the plate to the right or left in order to line up the upper panel of the door to the control panel.

INSTALLING YOUR APPLIANCE (CONT)



Repositioning the door hinges

Upright freezers are normally supplied with the door hinged to the cabinet on the right hand side (looking from the front), when necessary it is possible to change the door to hinge on the left hand side.

The procedure is as follows:

1. Unscrew and remove the bottom hinge (A) and lift off the door.
2. Unscrew the support pin (B) from the bottom hinge, turn the hinge over and refit the support pin to the opposite side.
3. Unscrew the top support pin (C) from the right upper hinge and refit to the upper left hand hinge.
4. Remount the door on to the top support pin.
5. Refit the bottom hinge (A) to the left side.
6. Remove the handle from left side and fit it to right side.

GETTING YOUR APPLIANCE READY FOR USE

Before use, the interior including the door and all removable parts should be wiped out.

Use a clean damp cloth, wrung out in either a solution of 1 teaspoonful of bicarbonate of soda to 1 pint of water or Milton diluted according to the manufacturer's instructions.

WARNING: NEVER USE ANY HOUSEHOLD CLEANER OR DETERGENT, ABRASIVE POWDERS OR WAX POLISH. THESE NOT ONLY DAMAGE THE SURFACES, THEY ALSO LEAVE A SMELL IN THE FREEZER.

Wipe dry using a clean dry cloth.

Final check

Before you start the appliance check the following:

1. It is thoroughly dry inside.
2. The appliance is standing level and all feet are correctly adjusted and in firm contact with the floor.
3. Air can circulate freely around the appliance including the rear.
4. The baskets are correctly fitted.

Starting

Note: The appliance should be allowed to stand for two hours before switching on if it has been moved in the horizontal position at delivery or prior to placing in the correct working position.

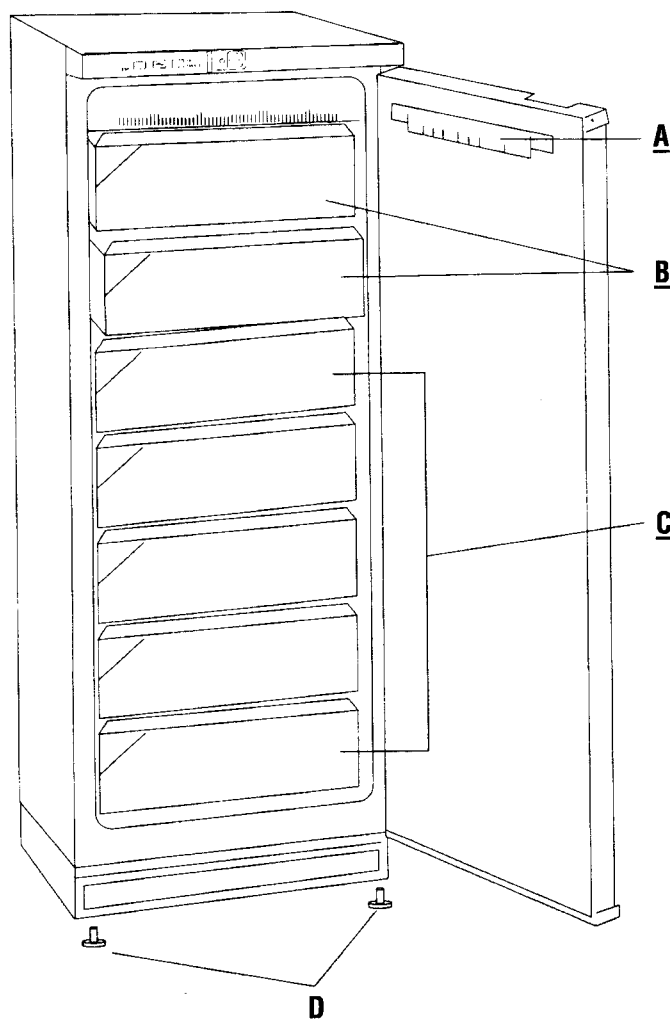
Insert the plug into the socket outlet and switch on the electricity supply.

NOTE: It is possible that the defrost cycle may be in operation when the appliance is switched on initially. Wait approximately 30 minutes for the appliance to start automatically.

**GET TO KNOW
YOUR APPLIANCE**

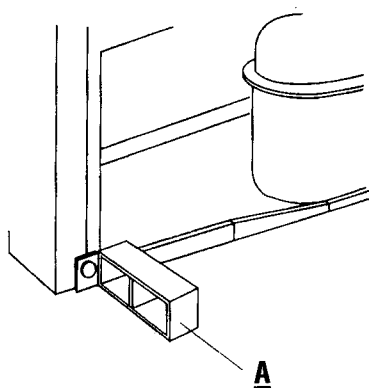
- A Freezer storage guide
- B Fast freeze
- C Frozen food storage
- D Adjustable front feet are fitted at these two corners

Models FZ 71P, FZ 91P



INSTALLING YOUR APPLIANCE

A Position of spacers



Where to put your appliance

Your appliance should be placed where it is easy to use, adjacent to a work surface is often a good position.

It is advisable to position the appliance away from anything which gives off heat, a cooker or radiator for example or in a position where sunlight is liable to shine directly onto the appliance.

The freezer will operate in temperatures up to +32 °C.

Ensure that there is a 5 cm gap between the appliance and other items wall kitchen units or appliances.

To allow for sufficient space at the rear of the appliance for air circulation, two spacers are provided. Position these onto each corner of the rear side edge. See diagram below.

Carefully push the appliance into position until the spacers are against the wall. Adjust both feet either clockwise or anti clockwise until all four corners of the appliance are firmly in contact with the floor.

Adjustment of the upper hinge

If the upper door is not in line with the control panel, partially unscrew the screw fixing the pivot plate to the upper hinge. Move the plate to the right or left in order to line up the upper panel of the door to the control panel.

IF YOUR FREEZER WON'T WORK

... don't panic

Just run through these quick checks before calling your nearest Hotpoint Service Office.

1. Check that the plug is firmly in the wall socket and that the power supply is on.
2. Check the power supply to the socket by plugging in another appliance.
3. If the other appliance works, check the fuse in the freezer's plug.
4. If you have changed the plug, check the wiring (see **page 2**).
5. If there is excessive noise or vibration, check that a) the four corners of the appliance are firmly in contact with the ground (see **page 5**), b) the appliance is not in contact with another appliance or kitchen furniture, and c) the rear condenser is not vibrating.
6. If, when switching on the appliance initially, it won't start, the defrost cycle may be in operation. Wait approximately $\frac{1}{2}$ hour for the appliance to start automatically.
7. The red indicator lamp will glow when:
 - the appliance is switched on initially
 - when the freezer control is switched to a colder position (beyond FF)
 - during auto defrosting fresh food is placed in the freezer
 - the door of the appliance is frequently opened and/or opened for a long time.
8. If the green indicator light ceases to glow:
If the compressor does not work; check the power supply to the socket by plugging in another appliance.
9. If the internal temperature is too warm:
 - turn the thermostat control to a colder position (+)
 - check that the doors are closed check that the appliance is not near a heat source
 - check that air is able to circulate fully around the exterior of the appliance: particularly the rear and the sides
 - open the door as little as possible until the normal operating temperature is achieved.
10. If the internal temperature is too cold:
 - turn the thermostat control to a warmer position (-).
11. Check that the appliance has not been switched off inadvertently and/or the plug has been removed. If it has been switched off in error, wait 10 minutes before switching on again.

HOTPOINT SERVICE COVER

Satisfaction Guaranteed or Your Money Back

Hotpoint gives you a unique "Satisfaction Guaranteed" promise - valid for ninety days after you have purchased your Hotpoint product. If there is a technical problem with your Hotpoint appliance, just call Hotpoint Service (see back page). If necessary we will arrange for an engineer to call. If the technical problem is not resolved under this Guarantee, Hotpoint will replace your appliance or, if you prefer, give you your money back. Your statutory rights are not affected, and the Guarantee is additional and subject to the terms of Hotpoint's Free Year Parts Guarantee.

Hotpoint's Free Five Year Guarantee

From the moment your appliance is delivered, Hotpoint guarantees it for **FIVE YEARS**.

- In the Free Years all replacement parts are **FREE** provided that they are fitted by our own Service Engineer. During the first year our Engineer's time and labour is also free.
- Our guarantee covers loss of food in our refrigeration and freezer products up to £250 during the first year, subject to verification by one of our engineers.
- After the first year we will charge for our Engineer's time and labour. We do, however, operate a range of Service Plans (see opposite) which, for an annual payment, enables you to cover any repair costs which may be necessary.
- All our service repairs are guaranteed for twelve months in respect of our labour and any parts fitted.
- The appliance must be used in the United Kingdom, and must not be tampered with or taken apart by anyone other than our own Service Engineers.
- You may, however, buy parts which can be safely fitted without specialist knowledge or equipment. The correct fitting of such parts, provided they are genuine Hotpoint spares, will not affect your Guarantee. Parts are available from our Hotpoint Spares centres (see back page).
- Our guarantee does not cover the cost of any repair, or loss of food in refrigeration products, due to power failure, accidents or misuse. Nor does it cover the cost of any visits to advise you on the use of your appliance. Please read thoroughly the instruction book supplied with this appliance.

- If at any time during the Guarantee period we are unable to repair your appliance, we will refund any repair costs paid to us in the previous twelve months. We will also offer you a new appliance at a reduced charge instead of a repair.
- Our Guarantee is in addition to and does not affect your legal rights.
- Should you need independent advice on your consumer rights, help is available from your consumer Advice Centre, Law Centre, Trading Standards Department and Citizens Advice Bureau.
- All Hotpoint servicing is carried out by our own Service Organization located throughout the United Kingdom and Ireland. We will be happy to deal with any problems which you may have.

Hotpoint's Extended Warranties

Whether you have just one or a number of Hotpoint appliances in your Kitchen, Hotpoint has a range of Service Plans to give you complete peace of mind. They enable you to extend your one year labour guarantee so that you can have repairs completed FREE during the membership period.

Service Cover

We offer a number of payment methods; cheque, credit card or you can spread the cost and pay by direct debit (full details can be obtained on Free phone 0800 716356). This covers you for all repairs during the period of cover, which can be from 1 to 4 years. Service Cover also includes loss of food, up to the value of £250, in refrigeration appliances. There is also an option of Service Cover with Maintenance at an additional cost. This includes an annual Electrical and Safety check and replacement of any parts as necessary.

Kitchen Cover

An annual payment covers you for all repairs for your Hotpoint appliances which are less than ten years old. It also covers the cost of loss of food up to £250 in our refrigeration and freezer products. There is also the option of Kitchen Cover with Maintenance at an additional cost. Any additions; Hotpoint appliances purchased after you have joined Hotpoint Kitchen Cover will automatically be included during the annual period of cover without further charge.

Appliance Registration

To ensure that you have the opportunity to benefit from any of the above Service Schemes and other offers you should complete and return immediately the Appliance Registration Form/Questionnaire supplied with this appliance. Full details and costs of our Service Schemes, together with an application form, will be sent to you at the end of the first year of the guarantee.

Annual Safety/Maintenance Checks

Hotpoint strongly recommends that all its appliances are regularly checked for electrical and mechanical safety, whether or not they are covered by Service Plan. Worn door gaskets or hoses may cause a leak on an appliance, which could become dangerous if neglected.

Proof of Purchase

For future reference please attach your purchase receipt to this booklet and keep it in a safe place.

Spares and Accessories

Spares and accessories can be ordered from your local Hotpoint Spares Centre (see back page), using the order form enclosed.

NOTE: Our Engineers will use every effort to avoid damage to floor coverings and adjacent units when carrying out repairs/service work, but in locations where the Engineer advises you that it will be impossible to move appliances without risk of damage, he will only proceed with your approval that no liability is accepted.



CONTENTS

YOUR NEW HOTPOINT FREEZER	2
Electrical Requirements	2
Mains Lead Replacement	2
RETENTION OF THE INSTRUCTION BOOK.....	3
GET TO KNOW YOUR APPLIANCE.....	4
INSTALLING YOUR APPLIANCE	4
Where to put your appliance	4
Adjustment of the upper hinge.....	4
INSTALLING YOUR APPLIANCE (CONT)	5
Repositioning the door hinges	5
GETTING YOUR APPLIANCE READY FOR USE	5
Final check.....	5
Starting	5
THE CONTROLS.....	6
THE CONTROLS (CONT).....	6
Running in the compressor	6
CONTROLLING THE TEMPERATURE	6
Setting the temperature in the freezer	6
Indicator lights – adjacent to the facia controls	6
Red temperature warning light	6
Switching the appliance off.....	7
Green “Mains on” Indicator Light	7
Amber Fast Freeze Indicator Light	7
STORING FOOD	7
Storing food in your freezer compartment	7
If there is a power failure do not open the freezer door	7
Freezing fresh foods	7
Maximum freezing loads.....	7
Freezer contents cards.....	7
DO'S AND DON'TS	7
CARING FOR YOUR FREEZER.....	8
Cleaning	8
Cleaning the interior of the freezer	8
Going away	8
SPARE PARTS	8
IF YOUR FREEZER WON'T WORK.....	9
HOTPOINT SERVICE COVER.....	9
Satisfaction Guaranteed or Your Money Back.....	9
Hotpoint's Free Five Year Guarantee	9
Hotpoint's Extended Warranties.....	10
Service Cover	10
Kitchen Cover	10
Appliance Registration	10
Annual Safety/Maintenance Checks	10
Proof of Purchase.....	10
Spares and Accessories	10
HOTPOINT SERVICE AND SPARES	11

RETENTION OF THE INSTRUCTION BOOK

This Instruction Book must be kept handy for reference as it contains important details on the safe and proper use of the appliance.

If you sell or pass the appliance to someone else, or move house and leave it behind, make sure this Book is also provided so the new owner can become familiar with the appliance and safety warnings.

If the Book is lost or damaged a copy may be obtained from Hotpoint Ltd, Celta Road, Peterborough, PE2 9JB.